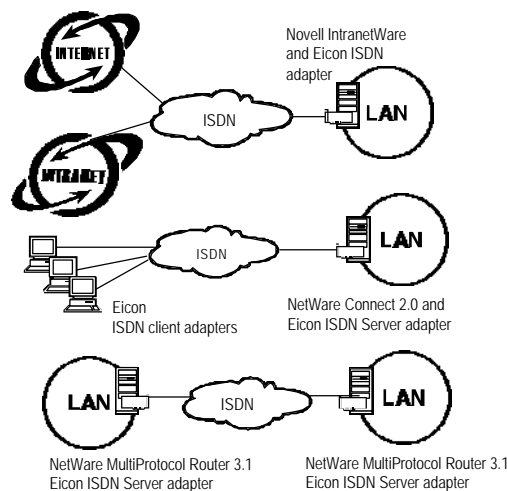


ISDN Connectivity for NetWare/IntranetWare

Eicon Technology provides a series of ISDN interface adapters to support the NetWare® and IntranetWare™ environment. Using Eicon ISDN interface adapters, Novell applications can be extended over high-speed digital ISDN links. With ISDN interface adapters supporting BRI (Basic Rate Interface), multi-BRI and PRI (Primary Rate Interface), corporations can choose the adapter that best suits their networking requirements. Certified internationally, Eicon's ISDN solutions include support of over 15 BChannel protocols worldwide including NI-1, AT&T and Euro-ISDN.

The growing need for more bandwidth and faster dial-up connections has prompted many corporations to seek alternative methods of connecting remote offices and users to Internet and corporate intranet resources. With its low-cost, high-performance and reliability, ISDN is quickly emerging as an ideal solution for dial-up remote office and user connectivity.

Eicon's ISDN interface adapters can be used with Novell's IntranetWare, NetWare MultiProtocol Router™ 3.1 and NetWare Connect 2.0 to support remote office and user connectivity to the Internet, intranet or corporate resources over ISDN.



ISDN Support for NetWare and IntranetWare

■ Highlights

- ISDN BRI, Multi-BRI and PRI support
- Worldwide certified ISDN support
- ISDN support for Novell's IntranetWare
- ISDN support for Novell's NetWare Connect 2.0
- ISDN support for Novell's NetWare MultiProtocol Router 3.1

ISDN Connectivity for NetWare/IntranetWare

Novell Applications	Novell's IntranetWare	Novell's NetWare Connect 2.0	Novell's NetWare MultiProtocol Router3.1
ISDN Support	Server Interface Adapters: <ul style="list-style-type: none"> - ISDN SCOM Interface Adapter (single BRI port) - ISDN Quadro Interface Adapter (four BRI port) - ISDN S2M Interface Adapter (single PRI port) 	Server Interface Adapters: <ul style="list-style-type: none"> - ISDN SCOM Interface Adapter (single BRI port) - ISDN Quadro Interface Adapter (four BRI port) - ISDN S2M Interface Adapter (single PRI port) Client Interface Adapters: <ul style="list-style-type: none"> - DIVA client adapter (ISA board) - DIVA client adapter (PCM board) 	Server Interface Adapters: <ul style="list-style-type: none"> - ISDN SCOM Interface Adapter (single BRI port) - ISDN Quadro Interface Adapter (four BRI port) - ISDN S2M Interface Adapter (single PRI port)

Feature	Benefit
ISDN BRI, multi-BRI, & PRI support	Flexible connectivity: Corporations can select the ISDN server adapter(s) that best suits their needs. Smaller offices will generally require only a single BRI connection, while larger regional or central offices will want to use multi-BRI or PRI adapters.
ISA and PC card support	Flexible connectivity: Eicon provides the full range of ISDN client adapters for both laptop and desktop based applications.
Integrated ISDN CAPI drivers	Convenience: The required ISDN CAPI drivers to support Eicon ISDN interface adapters come with Novell's IntranetWare and NetWare MultiProtocol Router 3.1. IntranetWare and NetWare MultiProtocol Router users simply need to purchase Eicon ISDN adapters.
IntranetWare Support	Intranet/Internet connectivity over ISDN: Corporations can take advantage of the digital communications of ISDN for connectivity to the Internet or corporate intranets
NetWare Connect Support	Remote User Access over ISDN: Eicon's ISDN interface adapters work in conjunction with NetWare Connect to support remote user access over ISDN, simplifying remote access while eliminating the complex modem banks associated with asynchronous solutions.
DOS, Win 3.x, Win '95 & Win NT	Complete client connectivity: Eicon provides support for the DOS and Windows 3.x clients included with NetWare Connect, but in addition, also supports connections via the DIVA for Windows '95 and DIVA for Windows NT software. This ensures that all remote users can easily access network resources.
NetWare MultiProtocol Router Support	Remote LAN Connectivity over ISDN: For basic LAN-to-LAN connectivity, Eicon ISDN interface adapters support Novell's NetWare MultiProtocol Router 3.1. Eicon's ISDN interface adapters, used in conjunction with Novell's NetWare MultiProtocol Router 3.1, provide corporations with a range of ISDN solutions for linking remote LANs to other corporate LANs or backbone.
Value-add ISDN support	Minimizing LAN-to-LAN connectivity line costs: While ISDN is an effective means to interconnect remote locations, cost still remains an issue when connecting LANs over ISDN. In addition to the basic ISDN support for NetWare MultiProtocol Router, Eicon also provides value-add ISDN software features such as Short Hold Mode, Channel Bundling to optimize bandwidth utilization.

Eicon Technology Corporation

Tel.: (514) 745-5500
 Fax: (514) 745-5588

In the United States, Canada, Latin America:

Tel.: 1-800-80-EICON
 (972) 239-3270
 Fax: (972) 239-3304

In Europe, Middle East, Africa:

Tel.: +44 (0) 181 967-8000
 Fax: +44 (0) 181 967-8050

In Australia, New Zealand, Asia:

Tel.: +61 (2) 9919-7200
 Fax: +61 (2) 9929-6300

Internet:

North America: sales@eicon.com
 Europe: sales.europe@eicon.com
 Asia Pacific: sales.asiapac@eicon.com
 Worldwide Web: <http://www.eicon.com/>



© 1996 Eicon Technology Corporation. All rights reserved.
 All trademarks or registered trademarks are the property of their respective owners.